

[product overview]

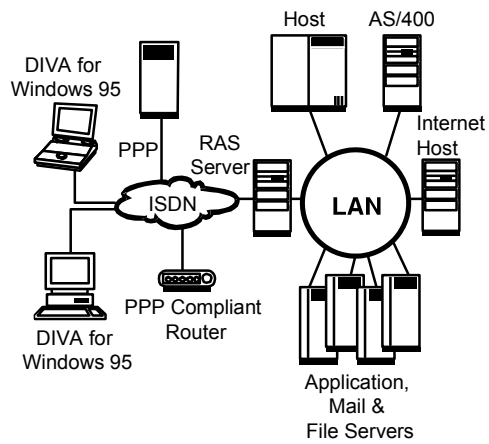
eicon
technology
corporation

DIVA for Windows 95

Eicon Technology's DIVA for Windows 95 offers high-speed ISDN communications for notebook computers and stand-alone PCs.

DIVA for Windows 95 is an intelligent hardware and software solution designed for the Microsoft Windows 95 desktop. By tightly integrating the application environment with ISDN communications, DIVA for Windows 95 transparently extends the desktop and its applications across the networked enterprise.

DIVA for Windows 95 gives users the independence to access information residing on remote LAN servers, corporate hosts, and on-line information services, regardless of location.



*Flexible & Reliable ISDN Communications
for Notebooks and Stand-alone PCs.*

■ **Product Highlights**

- Easy installation with the Configuration and Installation Wizard
- Includes Microsoft ISDN Accelerator Pack and Microsoft Internet Explorer
- FAX Capability
- COM Port based applications
- Rate Adaptation
- Available with the DIVA, DIVA Piccola, DIVA Pro, and DIVA PCM
-

What's in it for SOHO users?

SOHO users need fast and efficient dial-up connections to corporate networks and on-line information services to remotely gain access to information they would normally have access to if they were at the office.

DIVA for Windows 95 provides high-speed and reliable ISDN access for the remote user to corporate LANs and the Internet. By tightly integrating into Windows 95, users can take advantage of the speed of ISDN while using all the applications they are already familiar with.

<i>Feature</i>	<i>Benefit</i>
Installation Wizard	Installation and Configuration are made easy by the Installation Wizard which guides users through the various options. In most cases complete installation can be completed in under 15 minutes.
Microsoft ISDN Accelerator Pack	DIVA for Windows 95 includes the Microsoft ISDN Accelerator Pack which enables Remote Network Access (RNA) over ISDN. Users can connect to a Windows NT RAS server, to other Windows 95 systems and to PPP compliant routers using Windows 95 Dial-Up Networking. The Microsoft Internet Explorer 2.0 is also included as part of the ISDN Accelerator Pack.
Fax Capability	Makes sending and receiving faxes over ISDN as fast and simple as a click of a mouse. Supports three types of fax applications (TAPI, CAPI 2.0 and COM port based). Group 3 fax is supported with Microsoft exchange.
COM port-based applications	Supports COM port based applications through a virtual COM port (ISDN access through AT commands). Allows users access to software that was written for modems (i.e. CompuServe WinCim).
Rate Adaptation	DIVA for Windows 95 provides V.110 and V.120 support allowing access to on-line services like CompuServe.
Bundles	DIVA for Windows 95 is bundled with the following DIVA cards to respond to various user requirements: DIVA, DIVA Piccola (does not support FAX or V.110), DIVA Pro 1.0, and DIVA PCM.

Eicon Technology Corporation

Tel.: (514) 745-5500
Fax: (514) 745-5588

**In the United States,
Canada,
Latin America:**

Tel.: 1-800-80-EICON
(214) 239-3270
Fax: (214) 239-3304

**In Europe, Middle East,
Africa:**

Tel.: (44) 181 967-8000
Fax: (44) 181 967-8050

**In Australia, New Zealand,
Asia:**

Tel.: (61) 2 9919-7200
Fax: (61) 2 9929-6300

Internet:

North America: sales@eicon.com
Europe: sales.europe@eicon.com
Asia Pacific:
sales.asiapac@eicon.com
Worldwide Web:
<http://www.eicon.com/>

